

## **SELF-REGULATING MECHANICAL EXTRACT VENTILATION MODULVENT AUTO**



### ***INSTALLATION & MAINTENANCE MANUAL***

03.2026

# TABLE OF CONTENTS

<b>1. SAFETY INSTRUCTIONS AND REGULATORY INFORMATION .....</b>	<b>3</b>
<b>2. DESCRIPTION .....</b>	<b>4</b>
<b>3. INSTALLATION.....</b>	<b>7</b>
<b>4. MAINTENANCE .....</b>	<b>9</b>
<b>5. SPARE PARTS.....</b>	<b>11</b>
<b>6. WARRANTY .....</b>	<b>12</b>

# I. SAFETY INSTRUCTIONS AND REGULATORY INFORMATION



READ THESE INSTRUCTIONS BEFORE INSTALLING THIS PRODUCT  
PLEASE KEEP THESE INSTRUCTIONS

**SWITCH OFF YOUR APPLIANCE BEFORE CARRYING OUT ANY WORK**

## PRECAUTIONS AND RESTRICTIONS ON USE

Do not install this product in locations where any of the following conditions exist or are likely to arise:

- Corrosive or flammable gases, liquids or vapours.
- Ambient temperatures above 60°C or below -20°C.
- Potential obstructions that may prevent access to or removal of the fan.
- The wiring must comply with the standards in force in your country and must be installed by a suitably qualified person.
- The electrical connection must be made to an installation carried out by a professional in accordance with the requirements of standard NF C15-100, or the applicable local standard. In particular, a contact separation device with a contact gap of at least 3 mm on each pole, as well as a protection device with a suitable rated current, must be provided in the fixed wiring (circuit breaker). The cross-sectional area of the copper conductors must be at least 1.5 mm<sup>2</sup>.
- Ensure that the mains supply (voltage, frequency, and phase) complies with the specifications on the fan's rating plate. An inadequate power supply, poor electrical installation or incorrect connections when connecting cables to the terminal blocks may cause serious incidents such as short circuits or fire. The installer must ensure that electrical protection devices compliant with current regulations are installed, along with a disconnect switch upstream of the product's electrical connection.
- The fan must not be used in locations where it is likely to be directly exposed to splashing water.
- Appropriate precautions must be taken to prevent the backflow of gas from a flue or other fuel-burning appliances in the room.
- Use the appliance only for its intended purpose

## PERSONAL SAFETY

- The appliance must be installed in such a way that, under normal operating conditions, there is no risk of contact between persons and moving or live parts.
- This appliance may be used by children aged 8 years and over and by persons with reduced physical, sensory or mental capabilities, or lack of experience and knowledge, provided they are supervised or have been given instructions regarding the safe use of the appliance and understand the risks involved. Children must not play with the appliance. Children must not clean or maintain the appliance without supervision. When children and vulnerable persons are present, you must pay particular attention to them.
- Children under 8 years of age must not connect, adjust, clean, or maintain the appliance. They may only switch the unit on or off if it is installed correctly, if they are supervised or have been instructed on the safe use of the appliance, and if they understand the risks involved.
- Children under 3 years of age must be kept away unless under constant supervision.

## END-OF-LIFE WEEE



This product must not be disposed of with household waste. Please recycle it if recycling facilities are available in your area. Contact your local authorities for advice on recycling procedures.

## 2. DESCRIPTION

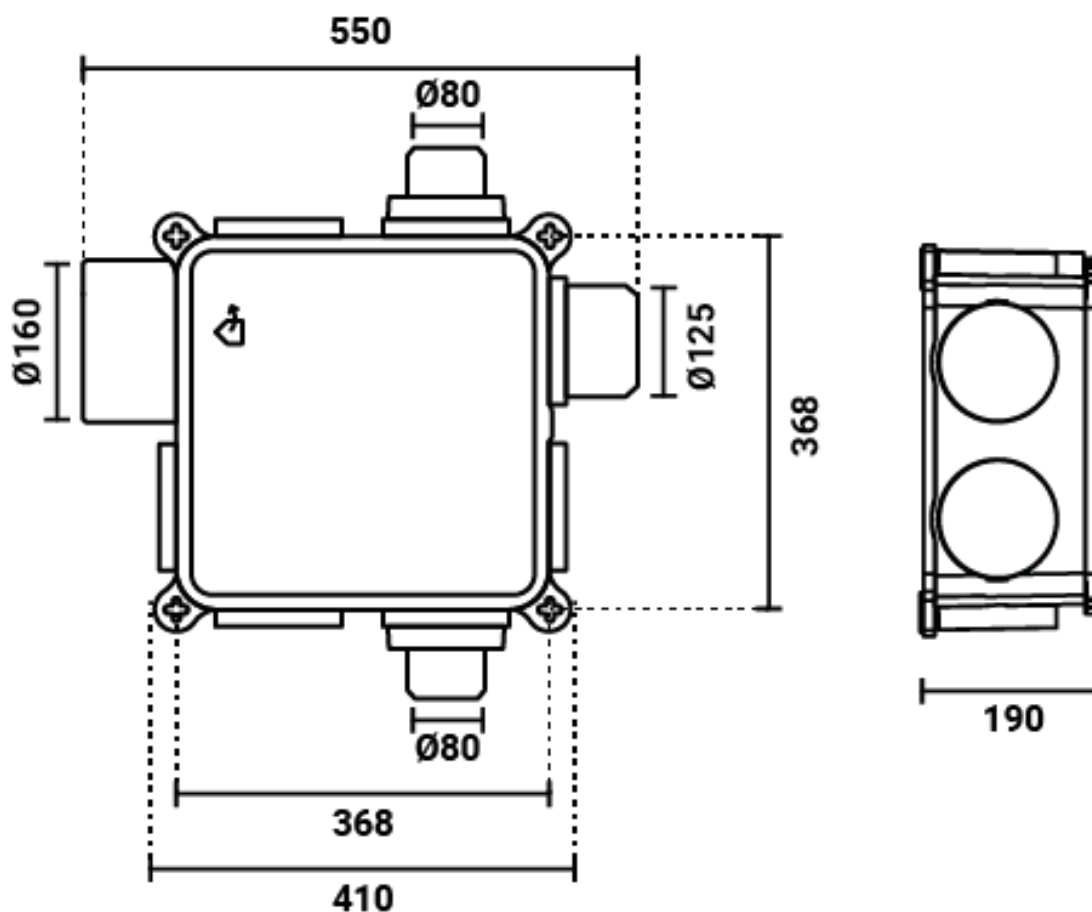
### TECHNICAL SPECIFICATIONS

Type of MEV	Self-regulating MEV
Application	From F1 to F7, up to 4 bathrooms/toilets
Fan	AC, 2 speeds
Connections	7 x Ø125 mm and 1 x Ø160 mm
Sound level Lp at 2m from the kitchen vent	<15 dB(A)
Max power	42 W
Power at low speed	15 W
Power at high speed	25.6 W
Operating temperature range	-20°C / 60°C
Power supply	230V ~50Hz

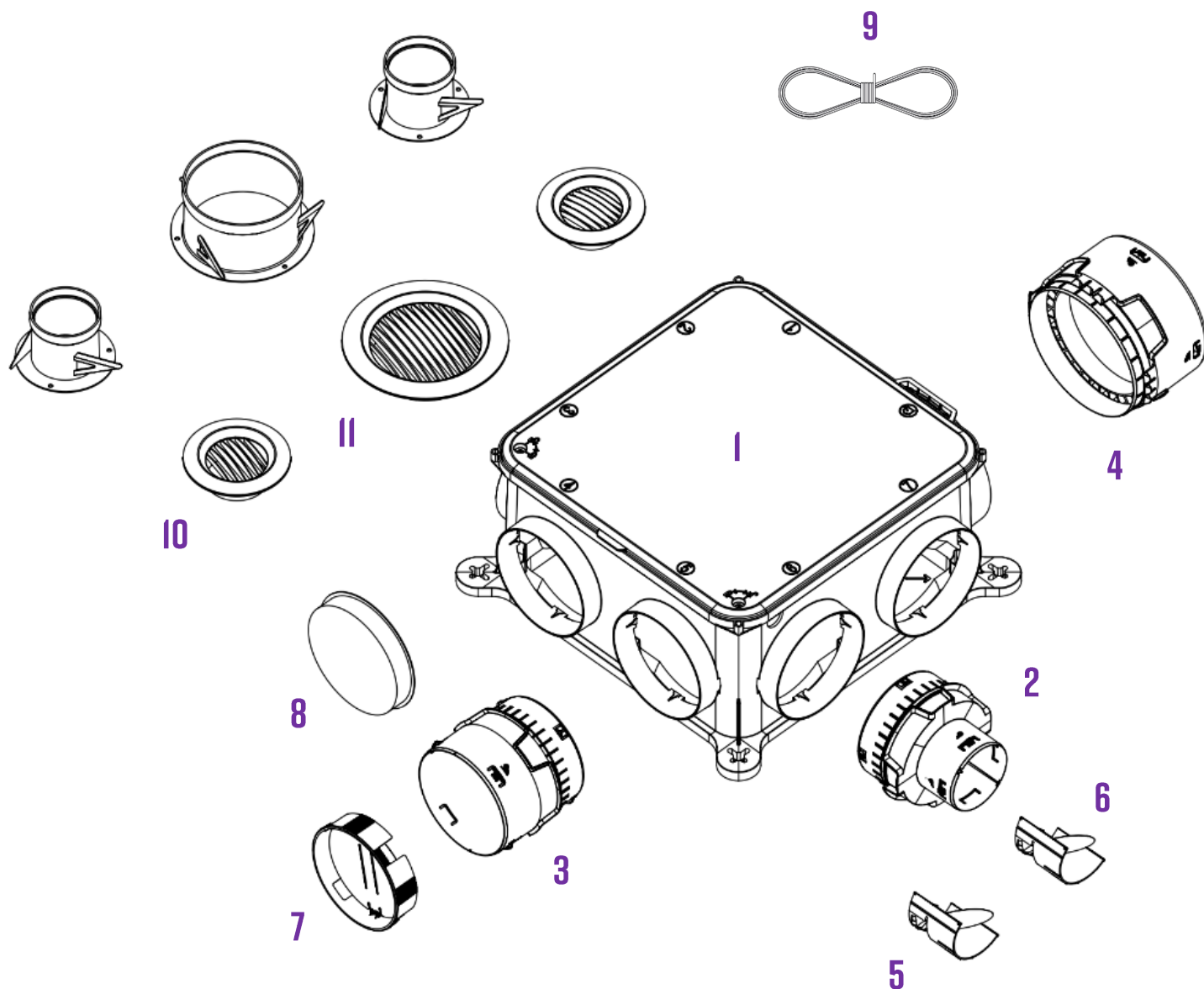
### DIMENSIONS

Dimensions in mm

Weight: 3.8 kg

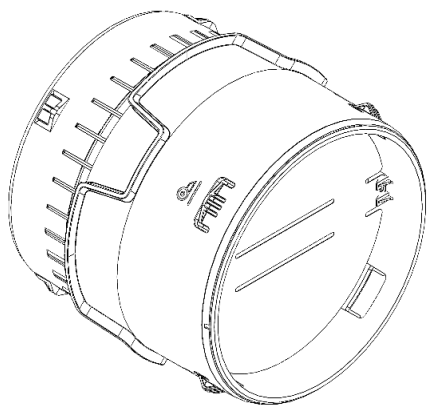


## EXPLODED VIEW, PARTS LIST AND CONTENTS OF THE BOX

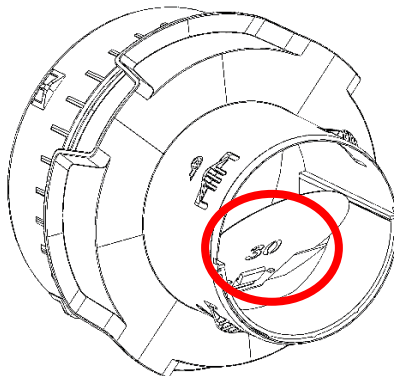


Login	Item	Modulvent Auto 304.0007	Modulvent Auto kit with vents 304.0001
<b>I</b>	Modulvent Auto module	1	1
<b>2</b>	Adapter Ø125/80 mm	2	2
<b>3</b>	Adapter Ø125/125 mm	1	1
<b>4</b>	Adapter Ø160/160 mm	1	1
<b>5</b>	30 m <sup>3</sup> /h self-regulating valve Ø80 mm (Bathroom)	1	1
<b>6</b>	15 m <sup>3</sup> /h self-regulating valve Ø80 mm (Toilet)	1	1
<b>7</b>	Self-regulating valve Ø125 mm (Kitchen)	1	1
<b>8</b>	Cap Ø125 mm	4	4
<b>9</b>	Suspension cord	1	1
<b>10</b>	Air outlet Ø80 mm and plasterboard sleeve	-	2
<b>11</b>	Air outlet Ø125 mm and plasterboard sleeve	-	1

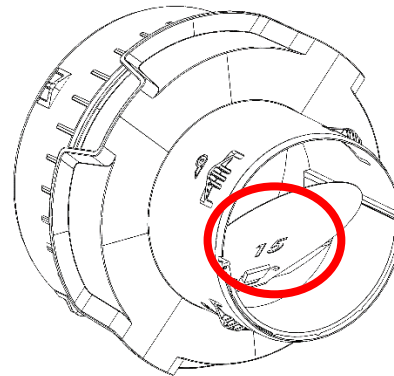
## IDENTIFICATION OF FLOW REGULATORS



Self-regulating valve  
Ø125 mm Kitchen



30 m<sup>3</sup>/h self-regulating valve  
Ø80 mm Bathroom



15 m<sup>3</sup>/h self-regulating valve  
Ø80 mm Toilet



Before installation, ensure you have correctly identified the Ø125/80 mm adapters with the 30 m<sup>3</sup>/h or 15 m<sup>3</sup>/h self-regulating valve

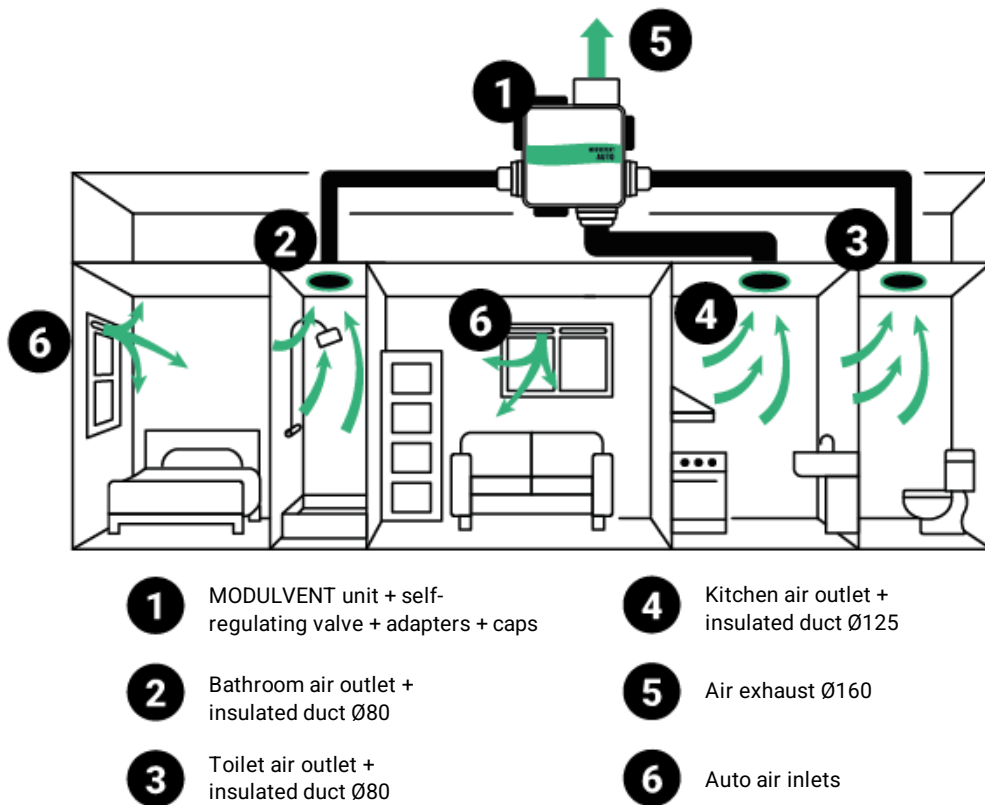
## 2

### SELECTION OF THE SELF-REGULATING VALVE

		Selecting self-regulating valve				
		Bathroom / WC	Bathroom	WC		Shower room
				Single	Multiple	
Number of main rooms in the property (Number of bedrooms + living room)	1 room	15	15	15	15	15
	2 rooms	15	15	15	15	15
	3 rooms	30	30	15	15	15
	4 rooms	30	30	30	15	15
	5 rooms and over	30	30	30	15	15

Flow rates regulated by the Order of 24 March 1982

## SCHEMATIC DIAGRAM



## 3. INSTALLATION

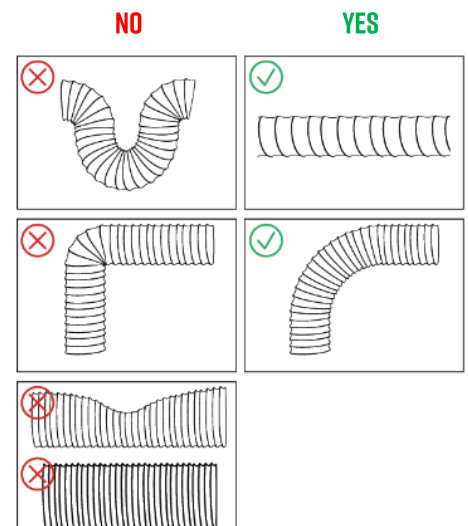


**INSTALLATION MUST BE CARRIED OUT BY A QUALIFIED PROFESSIONAL  
THE PRODUCT MUST BE INSTALLED IN ACCORDANCE WITH CURRENT LOCAL REGULATIONS**

The Modulvent Auto MEV is installed in a utility room, a false ceiling or an attic and continuously extracts stale air from damp rooms in the home. Fresh air enters the home through air inlets located on the windows. The ductwork must be installed in accordance with DTU 68.3 (latest revision).

### PRECAUTIONS BEFORE INSTALLATION

- Positioning the unit as centrally as possible in relation to the extraction vents minimises duct lengths and optimises ventilation performance.
- For installation in the loft, use suspended mounting to prevent the transmission of vibrations. For floor or wall installation, ensure that the anti-vibration pads are correctly positioned (pre-installed at the factory).
- All doors in the room must be rebated (1 cm for all doors, 2 cm for the kitchen door and rooms equipped with a connected gas appliance).
- Ensure that the ducts are installed as straight as possible and with well-rounded bends. Ducts that are crushed, pinched, torn, excessively long, have overly tight angles or are slack will affect the performance of the MEV system.
- If a long length of ducting is required, opt for rigid or semi-rigid ducts.
- Ensure that the roof outlet is the same diameter as the unit's exhaust adapter.



## INSTALLATION STEPS

### Step 1: Fixing the casing

The Modulvent Auto unit can be mounted on a wall or suspended in the loft.

For wall mounting:

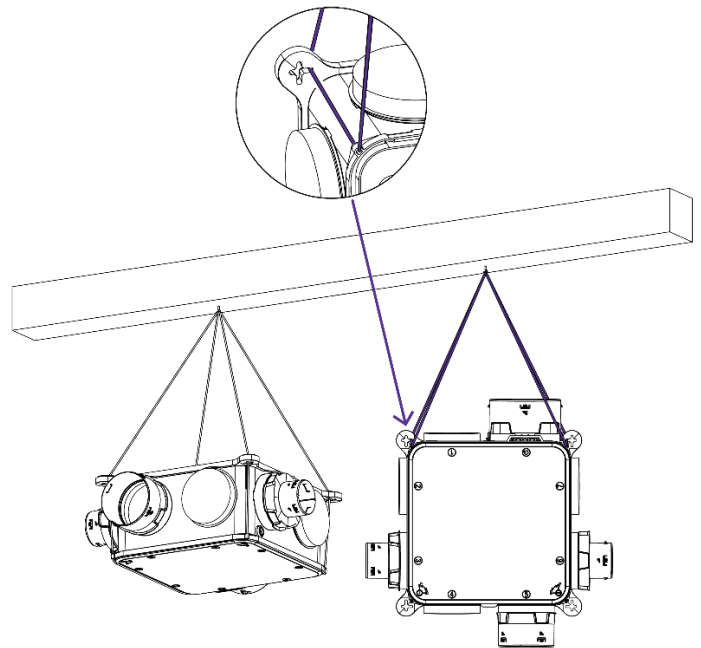
- Drill 4 holes to match the dimensions of the fixing brackets
- Secure the unit using screws suitable for the surface (not supplied)

The unit can be mounted on a straight wall, a sloping wall (attic) or the ceiling.

For suspended installation:

- Fit a suspension hook
- Thread the rope through the attachment points (4 mounting brackets and 4 eyelets)
- Tie a knot and hang the cabinet from the hook


The box can be suspended horizontally (right side up or upside down) or vertically.

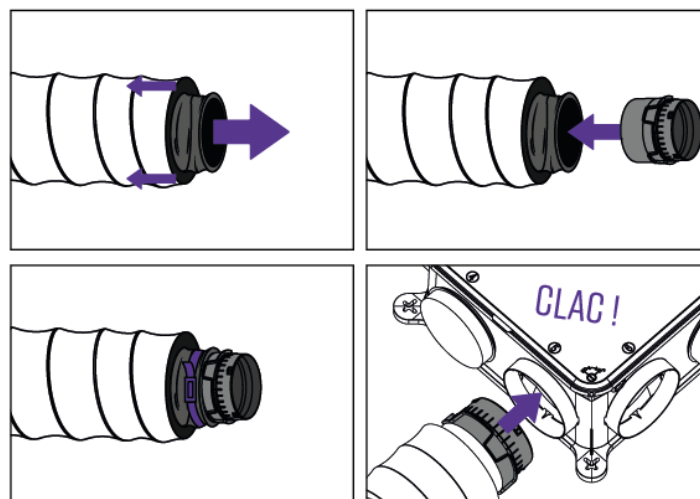


### Step 2: Connection to the mains

#### 1. Connections for the bathroom, kitchen and exhaust

- Connect the pipe to the adapter using a pipe clamp and adhesive tape (if using an insulated pipe, strip the end to secure the clamp directly onto the pipe). Ensure that the connections are completely watertight.
- Snap the adapter onto the port until you hear a 'clac' (if necessary, rotate the adapter slightly to the right or left); it is now locked in place. To remove it, snap it off, then unlock it by turning it a quarter turn.

 Make sure to fit a cap over all unused outlets.

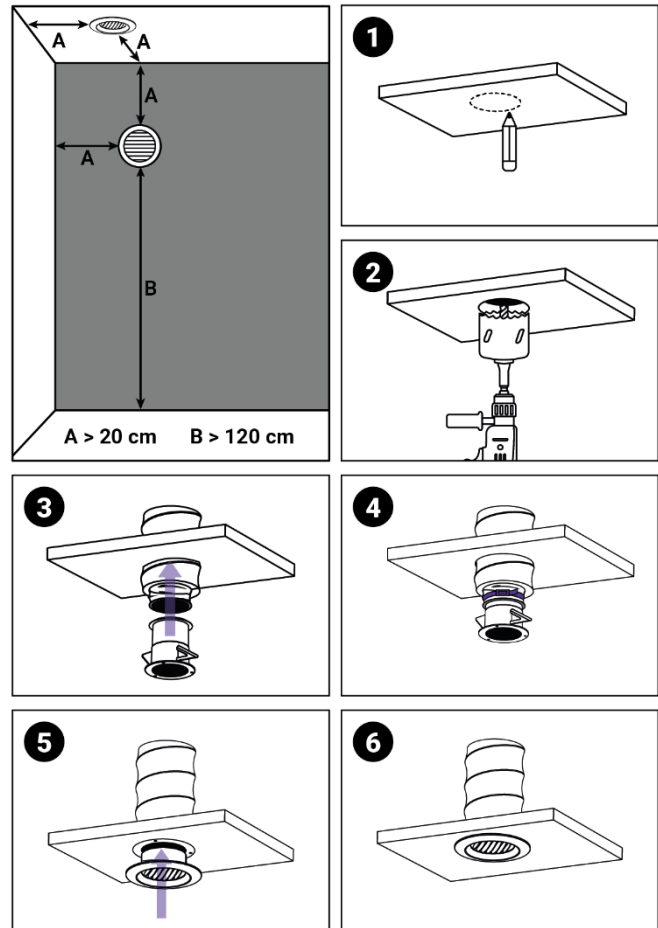


## 2. Installing the air outlets

Install an outlet in every damp room (kitchen, bathrooms, toilets, laundry rooms, etc.). In the bathroom(s), position the outlet as close as possible to the shower or bath.

- Ensure that the extraction vents are positioned at least 180cm above the floor and 20cm from a wall or ceiling.
- Mark out a circle corresponding to the diameter of the sleeve
- Drill with a hole saw
- Insert the sleeve into the duct
- Tighten
- Push the sleeve into the wall/ceiling by folding down the tabs
- Clip the grille onto the sleeve

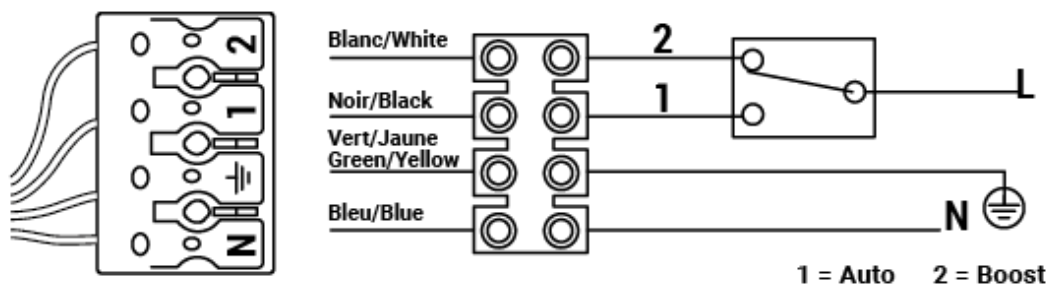
Make sure your network is properly sealed.



## Step 3: Electrical connection

**⚠ BEFORE CARRYING OUT ANY WORK, DISCONNECT THE POWER SUPPLY TO THE UNIT**

The Modulvent Auto MEV must be connected to a dedicated circuit. At the distribution board, install a 2A C-curve double-pole circuit breaker. The ventilation unit must be supplied with a 3G cable (1.5 mm<sup>2</sup> to 2.5 mm<sup>2</sup>) and secured by an anti-tear-out system compliant with standard NF C15-100 or the applicable local standard, and in accordance with best practice.



Connection with 2-speed switch (not supplied, ref. 105.0023)

Before making the connection, feed your cable through one of the two cable glands to ensure a watertight seal; then, once the electrical connection has been made, secure the cable with the cable clamp to prevent it from being pulled out.

## 4. MAINTENANCE

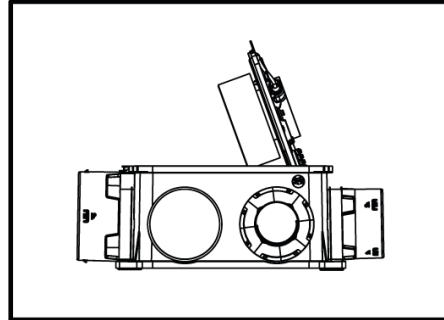
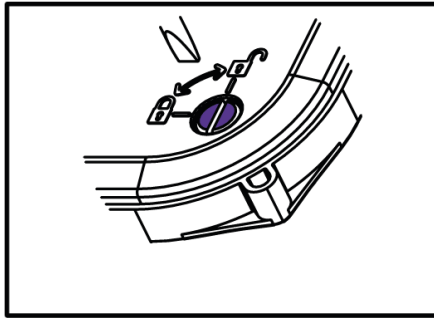
The MEV must be serviced annually to ensure it is working properly.

## 1. The housing:

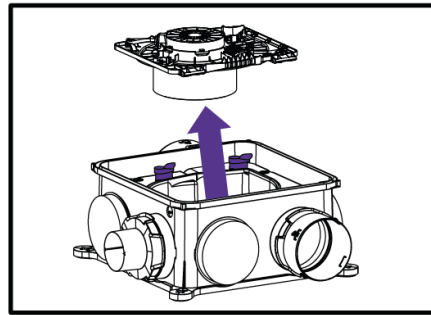
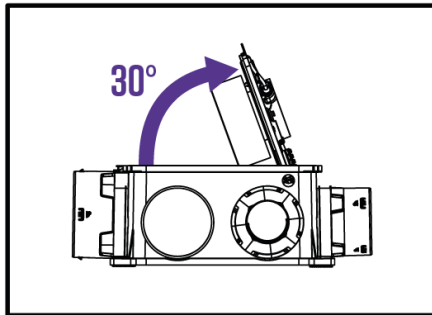


**BEFORE CARRYING OUT ANY WORK, SWITCH OFF THE UNIT**

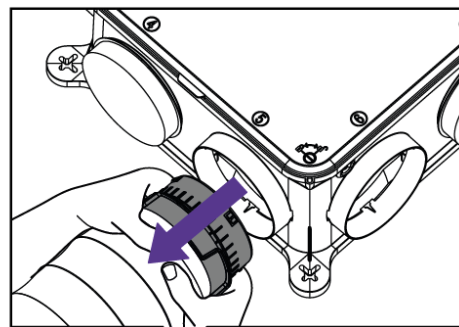
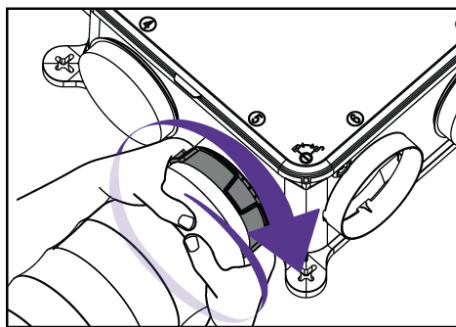
- a. Loosen the two ¼-turn screws on the cover using a flat-bladed screwdriver, then remove the cover. Unlock the two yellow latches on the base plate to lift it up and access the motor.  
Caution: if the unit is fixed to the wall or ceiling, support the base plate with your hands as you lift it



If necessary, you can also remove the detachable base plate: disconnect the power supply from the terminal block, rotate the base plate by 30°, then remove it (reverse the procedure to refit it).



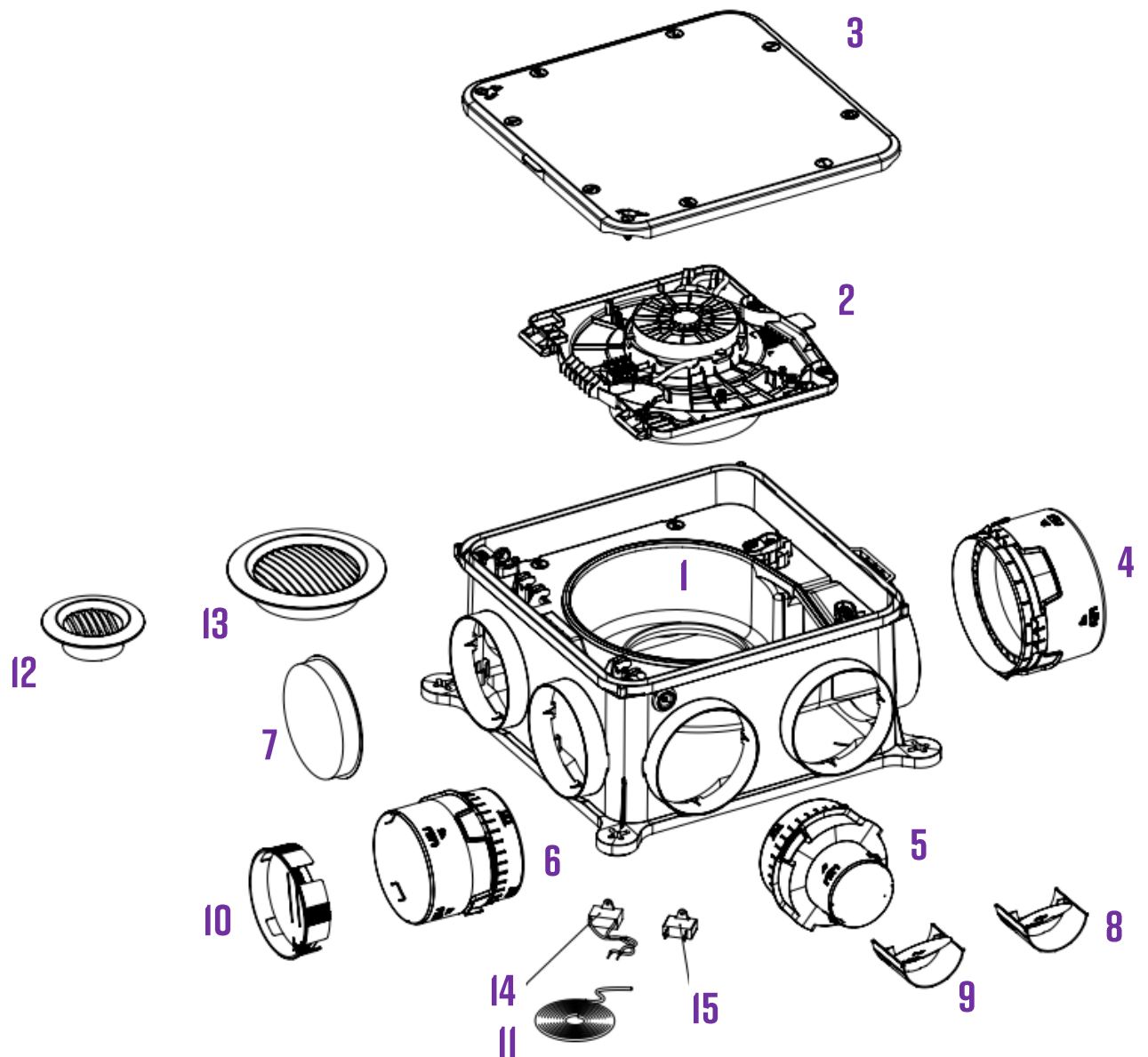
- b. Clean the motor blades (without water or liquid products) using a dry brush or a dust-removing spray.
- c. Close the base plate, lock the latches, then secure the cover with the screws.
- d. If necessary, to remove the adapters from the outlets, turn the adapter clockwise or anti-clockwise with both hands until it stops, turn it slightly past the stop, and pull.



## 2. Extraction outlets and air inlets:

- a. Remove the extraction vent from its sleeve.
- b. Clean the vent with soapy water.
- c. Once dry, clean the grille using a brush or a microfibre cloth.
- d. Replace the grille in its sleeve.
- e. For the air inlets, dust them off using a dry brush.

## 5. SPARE PARTS



Identification	Item	Item code
<b>1</b>	MEV unit only (without fan or cover)	901.0035
<b>2</b>	Modulvent Auto AC fan board	901.0029
<b>3</b>	Auto MEV cover	901.0036
<b>4</b>	Adapter Ø160/Ø160 mm	105.0003
<b>5</b>	Adapter Ø125/Ø80 mm	105.0001
<b>6</b>	Adapter Ø125/Ø125 mm	105.0002
<b>7</b>	Cap Ø125 mm	105.0009
<b>8</b>	15 m³/h self-regulating valve Ø80 mm (Toilet)	901.0039
<b>9</b>	30 m³/h self-regulating valve Ø80 mm (Bathroom)	901.0040
<b>10</b>	Self-regulating valve Ø125 (Kitchen)	901.0041
<b>11</b>	Suspension cord	105.0027
<b>12</b>	Air outlet Ø80 mm and plasterboard sleeve	105.0010
<b>13</b>	Air outlet Ø125 mm and plasterboard sleeve	105.0011
<b>14</b>	0.9µF capacitor	207.0116
<b>15</b>	1.6µF capacitor	207.0117

## 6. WARRANTY

### General warranty conditions

Please refer to the general terms and conditions of sale. The system must be installed by a qualified professional in accordance with best practice, current standards, and the instructions in our manuals. The system must be used normally and regularly maintained by a specialist.

### Warranty period

The Modulvent Auto MEV is covered by a 5-year warranty on parts and labour (in our workshops). The warranty on our products begins on the date of Ventilairsec's invoice.

### Exclusions

This warranty excludes any faults in the installation resulting from failure to comply with the manufacturer's recommendations, failure to comply with applicable standards and regulations, or lack of maintenance.



VMI® and  VENTILAIRSEC are registered trademarks of VENTILAIRSEC SAS